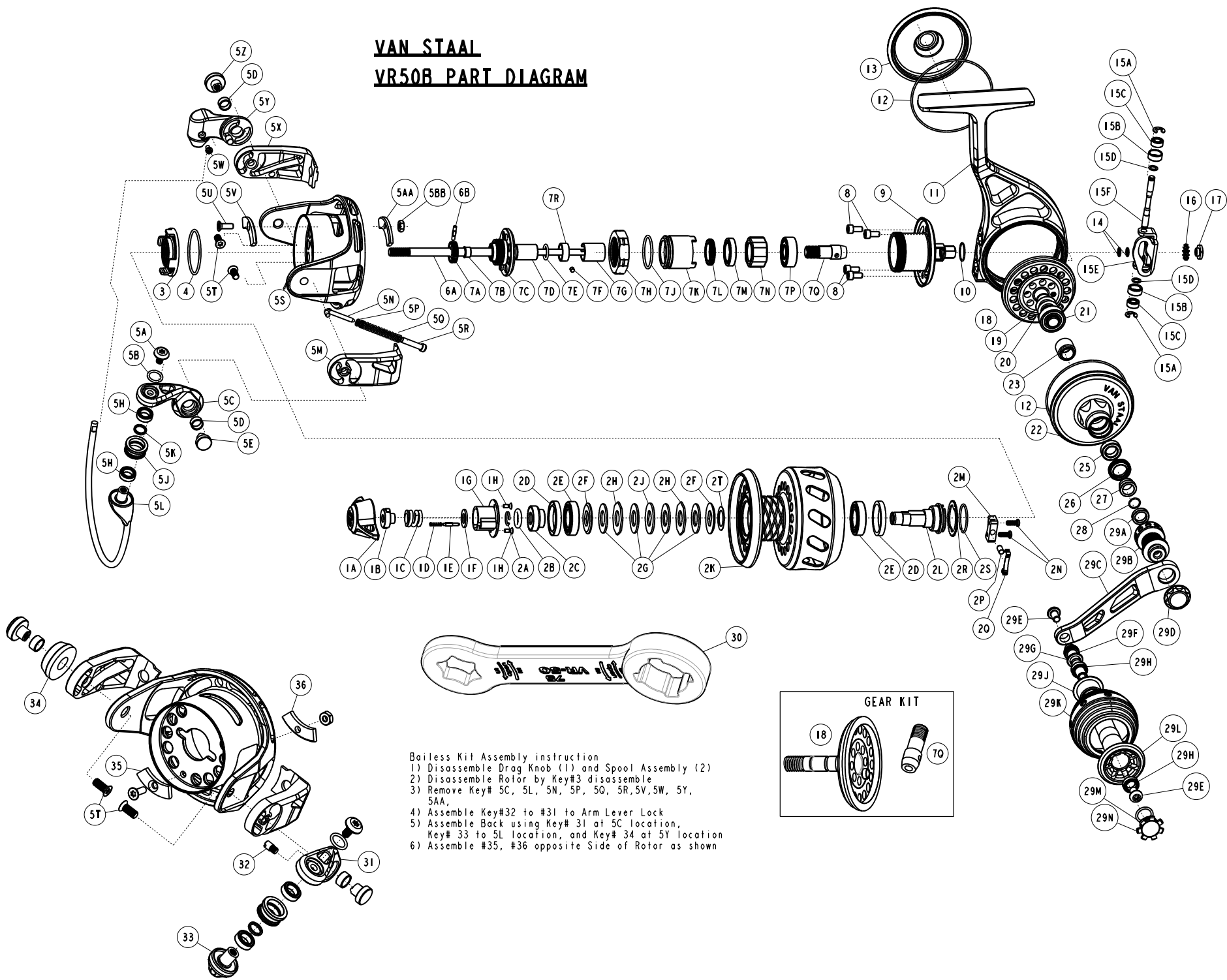
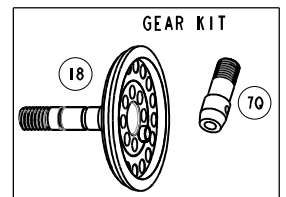


VAN STAAL VR50B PART DIAGRAM



- Bailless Kit Assembly instruction**
- 1) Disassemble Drag Knob (1) and Spool Assembly (2)
 - 2) Disassemble Rotor by Key#3 disassemble
 - 3) Remove Key# 5C, 5L, 5N, 5P, 5Q, 5R,5V,5W, 5Y, 5AA,
 - 4) Assemble Key#32 to #31 to Arm Lever Lock
 - 5) Assemble Back using Key# 31 at 5C location, Key# 33 to 5L location, and Key# 34 at 5Y location
 - 6) Assemble #35, #36 opposite Side of Rotor as shown



Van Staal VR50B Part List

Key No.	Description	VR50B		Key No.	Description	VR50B		
		VR50B	Q'TY			VR50B	Q'TY	
1	Drag Knob Assembly include	VP332-02	1	7F	Clutch Sleeve Pin	VP114-01	1	
	1A - Drag Knob	VP032-02	1	7G	Clutch Sleeve	VP052-01	1	
	1B - Drag Nut	VP066-01	1	7H	Lock Ring	VP122-02	1	
	1C - Drag Spring	VP043-01	1	7J	Clutch Housing O-Ring	VP101-01	1	
	1D - Drag Click Spring	VP083-01	1	7K	Clutch Housing	VP038-01	1	
	1E - Drag Click Pawl	VS149-01	1	7L	Main Seal	VP109-01	1	
	1F - Drag Spring Spacer	VP065-01	1	7M	Clutch Support Bearing	VP202-02	1	
	1G - Drag Knob Cap	VP071-01	1	7N	One Way Clutch	VP063-01	1	
	1H - Drag Knob Cap Screw	VP057-01	2	7P	Pinion Gear Ball Bearing	VP028-02	1	
	2	Spool Assembly (Kit) include	VP321-02	1	7R	Spacer Bushing	VP260-01	1
		2A - Spool Retainer Ring	SR1041	1	8	Body Neck Screw "B"	VP094-02	4
2B - Spool Retainer O-Ring		ORR10	1	9	Body Neck Assembly	VP341-02	1	
2C - Spool Retainer		VSB1024-B	1	10	Body Neck O-Ring	VP105-01	1	
2D - Drag Seal		VR252-01	2	11	Body	VP001-11	1	
2E - Spool Ball Bearing		EA117-02	2	12	Body Cover O-Ring	VP145-01	2	
2F - Drag "D" Washer - Chamfered		SR1036	2	13	Service Cover	VP024-02	1	
2G - Drag Disc		SR1038	4	14	Spool Shaft Spacer	VP026-01	2	
2H - Drag Key Washer		SR1039	2	15	O/S Slider Assembly (Kit) include	VP4025-01	1	
2J - Drag "D" Washer		SR1037	1		15A - E-Clip	NX092-01	2	
2K - Spool		VP021-02	1		15B - O/S Slider Bearing Ware Ring	VP106-01	2	
2L - Spool Hub		VP213-01	1		15C - O/S Slider Bearing	GX017-02	2	
2M - Spool Click Base		VP204-01	1		15D - O/S Slider Bearing Spacer	VR029-01	2	
2N - Spool Click Base Screw		AT136-02	2		15E - O/S Slider Sub Assembly	VP325-01	1	
2P - Spool Click Pawl		VP103-01	1		15F - O/S Slider Bearing Shaft	VP115-01	1	
2Q - Spool Click Spring		VP049-01	1	16	Teeth Washer	VP142-01	1	
2R - Spool Click Ratchet		VP037-01	1	17	Hex Nut	VP014-01	1	
2S - Spool Click Ratchet Retainer		VP036-01	1		Gear Kit	VP4312-21	1	
2T - Washer		ZW032-05	1		18 - Drive Gear Assembly			
3		Rotor Nut	VP006-02	1		7Q - Pinion Gear		
4		Rotor Nut O-Ring	VS105-01	1	19	Drive Gear Adjust Washer	AAA110-02	0
5		Rotor Assembly (Kit) include	VP4009-04	1	20	Drive Gear Adjust Washer	AAA110-03	0
		5A - Line Slider Screw	VP108-01	1	21	Gear Bearing	CH028-07	1
		5B - Line Slider Screw O-Ring	VR098-01	1	22	Body Cover	VP023-02	1
	5C - Bail Arm Lever	VP007-04	1	23	Gear Shaft Support Bushing	VP167-01	1	
	5D - Arm Lever Bushing	VP158-01	2					
	5E - Arm Lever Cap	VP113-02	1	25	Body Cover Ball Bearing	VR028-02	1	
	5F - Arm Lever O-Ring	N/A	N/A	26	Gear Shaft Seal	VP252-01	1	
	5G - Line Roller Spacer "A"	N/A	N/A	27	Handle Sleeve	VP110-01	1	
	5H - Line Roller Ball Bearing	CT157-09	2	28	Handle Sleeve O-Ring	VP164-01	1	
	5J - Line Roller	VP004-10	1	29	Handle Assembly include	VP318-02	1	
	5K - Bearing Spacer	VP160-01	1		29A - Handle Stand Insert	VP161-01	1	
	5L - Bail Assembly	VP347-04	1		29B - Handle Stand	VP058-02	1	
	5M - Bail Spring Cover Support	VP087-02	1		29C - Handle Arm	VP018-02	1	
	5N - Bail Spring Link	VP095-01	1		29D - Handle Cap	VP054-02	1	
	5P - Bail Spring Spacer	VR048-01	1		29E - Handle Knob Screw	VP077-01	2	
	5Q - Bail Spring	VR022-01	1		29F - Handle Knob Shaft	VP005-01	1	
	5R - Bail Spring Pivot	VP096-01	1		29G - Handle Knob Seal	VP253-01	1	
	5S - Rotor	VP009-02	1		29H - Handle Knob Ball Bearing	CT157-07	2	
	5T - Bail Spring Cover Screw	VP085-01	2		29J - Handle Knob Nut	VP222-02	1	
	5U - Counter Weight Screw	VP051-01	1		29K - Handle Knob	VP013-01	1	
	5V - Counder Weight "Top"	VP148-01	1		29L - Handle Knob Hub	VP003-02	1	
	5W - Bail Holder Screw	VR051-01	1		29M - Handle Knob Cap O-Ring	VS164-01	1	
	5X - Bail Spring Cover Support	VP087-02	1		29N - Handle Knob Cap	VP073-02	1	
	5Y - Bail Holder	VP017-02	1	30	Wrench - Service	VP170-01	1	
5Z - Bail Holder Cap	VP113-10	1						
5AA - Counder Weight "Bottom"	VP148-10	1						
5BB - Counter Weight Screw Nut	VP168-01	1		Bailess Kit	VP4007-13	1		
6	Spool Shaft Assembly (Kit) include	VP315-01	1	31	Bailess Arm Lever	VP007-13	1	
	6A - Spool Shaft	VP015-01	1	32	Arm Lever Locking Screw	VR085-10	1	
	6B - Spool Shaft Pin	VP134-01	1	33	Bailess Line Slider	VP010-13	1	
7A	Spool Shaft Guide Seal	VP045-01	1	34	Bailess Counter Weight	VP017-10	1	
7B	Spool Shaft Bearing Bushing	VP259-01	1	5T	Arm Lever Cap Screw	VP085-01	2	
7C	Spool Shaft Bearing	SW017-06	1	35	Counter Weight Top - Bailess	VP148-20	1	
7D	Spool Shaft Guide Assembly	VP375-02	1	37	Spacer	N/A	1	
7E	Spool Shaft Guide O-Ring	VR098-01	1	36	Counter Weight Bottom - Bailess	VP148-30	1	